

OPENABLE STEEL ROPE GRAB (ANTI PANIC)

AFG801013

Features

- Moving Rope Grab (AFG801013) on flexible anchorage line.
- Moves along with the user climbing up or down and locks him in the case of a fall.
- Suitable for 11mm & 12mm Kernmantle rope.
- Suitable for 14mm & 16mm Twisted rope..
- Galvanized steel openable Rope Grab with a unique Anti Panic feature and a connecting eye of diameter 50mm.

How To Use

Refer to User Instruction Manual



Metal Components

Material	:	High Strength Alloy Steel
Finish	:	Golden Yellow Galvanized for better finish & corrosion protection.

Weight

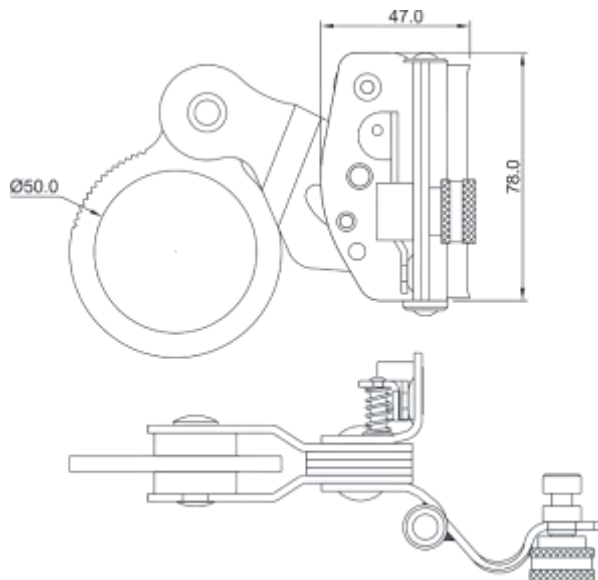
515 gm ± 10 gm

System Strength

MBS 15 kN

Relevant Standards

Tested as per EN 353-2:2002, ANSI Z 359.1-2007



CE 0598