

# EXTREME WINCH 20M

AFT730020


KStrong Extreme Winches have been designed for lifting and lowering, ideal for a range of applications including confined space work, rescue, positioning and personnel/material handling.

## Features

- Material or man-lifting rescue winch.
- Comes with universal mounting bracket to attach the Extreme Davits and Tripods for quick and easy installation.
- Handle rotating mechanism for lifting or lowering.
- For Personal use, you must use in-conjunction with a Fall Arrest Block as back up.
- Equipped with Advanced Dual Load Advantage (DLA) Gear System to give an effortless use of the Winch.
- Personal - As per EN 1496 Rated 140kg
- Materials - As per Machine Directive 2006/42/EC Rated 250kg



## How To Use

Refer to User Instruction Manual 

## Metal Components

Material	: Galvanized Steel Body
Finish	: Nylon Moulded Cover & Beam for wire winding
Minimum Strength Breaking	: 15kN
Wire Cable	: 4.5mm Galvanized Steel
Steel Karabiner (AC601100)	: 25kN MBS

## Weight

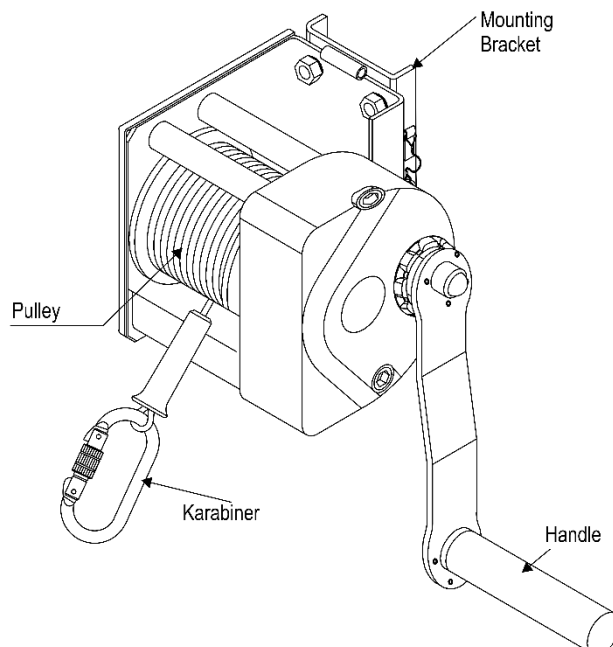
7.545kg ± 0.050kg

## System Strength

15kN

## Relevant Standards

Tested as per EN 1496:2017 Class A



II 2G  
Ex h IIc T6 Gb  
EN 80079-36:2016  
EN 80079-37:2016