

# ALUMINUM OPENABLE TYPE ROPE GRAB FOR 11MM KERNMANTLE ROPE

**AFG801011**

## Features

- Moving Rope Grab (AFC801011) on flexible anchorage line
- Moves along with the user climbing up or down and locks him in the case of a fall.
- Automatic Locking System.
- Suitable to with 10.5mm, 11mm and 12mm Kernmantle ropes.

## How To Use

Refer to User Instruction Manual



## Metal Components

Material	: Aluminum Alloy
Finish	: CED Coating Black
Minimum Breaking Strength	: 15 kN

## Weight

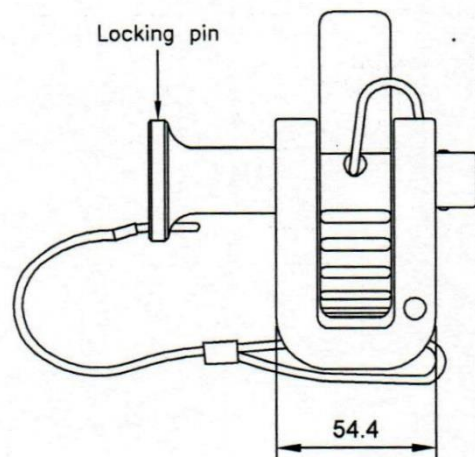
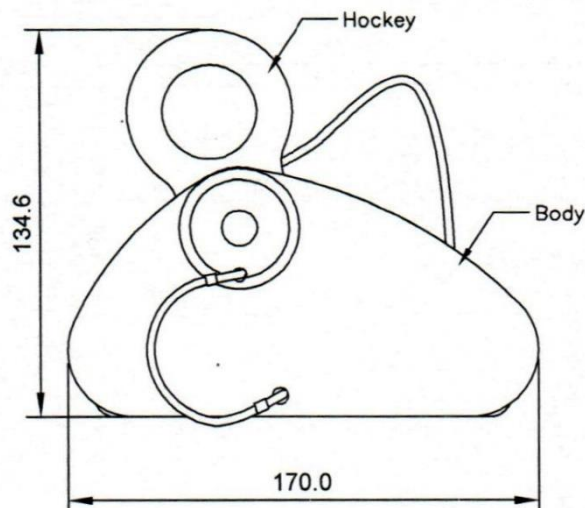
181 gm ± 10 gm

## System Strength

15kN MBS

## Relevant Standards

EN 353-2:2002, EN 358:2018 & EN 354:2010



**CE 0598**