

EXTREME WINCH 40M

AFT730040


KStrong Extreme Winches have been designed for lifting and lowering, ideal for a range of applications including confined space work, rescue, positioning and personnel/material handling.

Features

- Material or man-lifting rescue winch.
- Comes with universal mounting bracket to attach the Extreme Davits and Tripods for quick and easy installation.
- Handle rotating mechanism for lifting or lowering.
- For Personal use, you must use in-conjunction with a Fall Arrest Block as back up.
- Equipped with Advanced Dual Load Advantage (DLA) Gear System to give an effortless use of the Winch.
- Personal - As per EN 1496 Rated 140kg.
- Materials - As per Machine Directive 2006/42/EC Rated 250kg.



How To Use

Refer to User Instruction Manual 

Metal Components

Material	:	Galvanized Steel Body
Finish	:	Nylon Moulded Cover & Beam for wire winding
Minimum Strength Breaking	:	15kN
Wire Cable	:	4.5mm Galvanized Steel
Steel Karabiner (AC601100)	:	25kN MBS

Weight

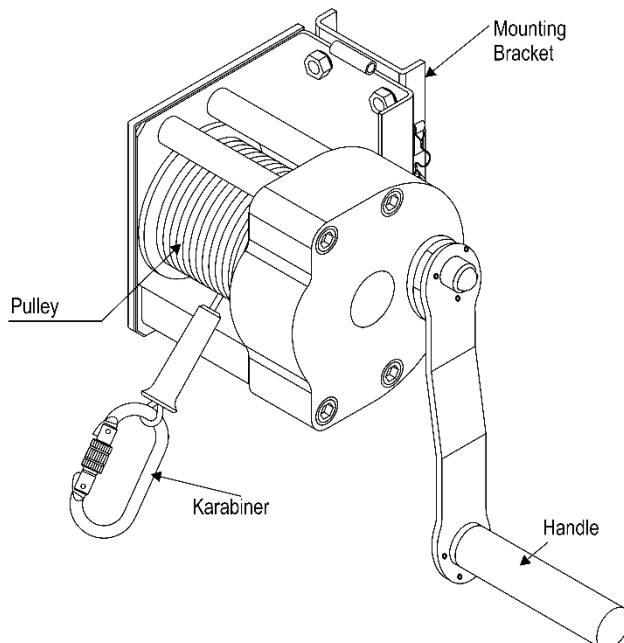
9.650kg ± 0.050kg

System Strength

15kN MBS

Relevant Standards

Tested as per EN 1496:2017 Class A



II 2G
Ex h IIc T6 Gb
EN 80079-36:2016
EN 80079-37:2016